

# Technical data sheet



## Product features

### Electric fryer 2 baskets 0,42 kW/l, 5+5 l counter top 230 V

<b>Model</b>	<b>SAP Code</b>	00000901
--------------	-----------------	----------



- Basin volume [l]: 5
- Drain: No
- Maximum device temperature [°C]: 190
- Minimum device temperature [°C]: 50
- Material: Stainless steel
- Heating location: Inside the tank
- Ignition: Electric
- Number of baskets: 2
- Basket size [mm]: 130 x 235 x 100

<b>SAP Code</b>	00000901	<b>Power electric [kW]</b>	4.200
<b>Net Width [mm]</b>	398	<b>Loading</b>	230 V / 1N - 50 Hz
<b>Net Depth [mm]</b>	0	<b>Basin volume [l]</b>	5
<b>Net Height [mm]</b>	311	<b>Number of baskets</b>	2
<b>Net Weight [kg]</b>	10.00	<b>Basket size [mm]</b>	130 x 235 x 100

# Technical data sheet



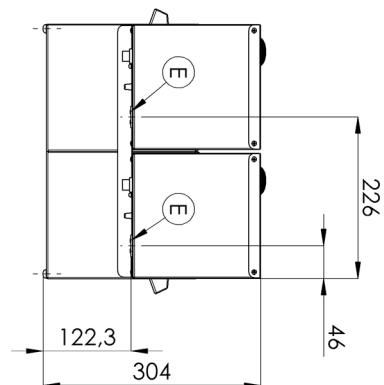
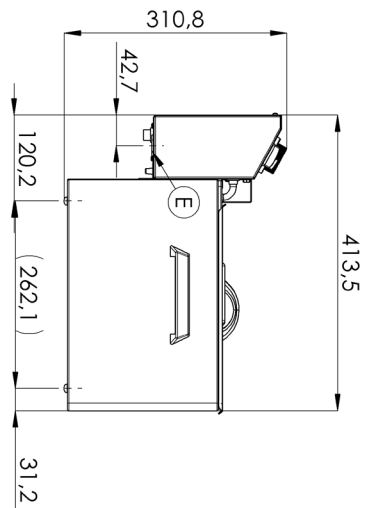
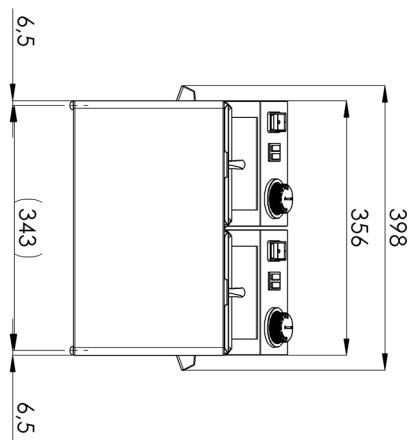
Technical drawing

Electric fryer 2 baskets 0,42 kW/l, 5+5 l counter top 230 V

Model

SAP Code

00000901



### Electric fryer 2 baskets 0,42 kW/l, 5+5 l counter top 230 V

Model

SAP Code

0000901

1

#### All-stainless design

long life  
resistance of AISI 304 stainless steel material  
the material does not cut

- savings on service interventions
- easier and faster operation

2

#### Degree of protection of the control elements IPX4

maintenance-free system  
resistance to splash water  
long life

- savings on service interventions
- easy cleaning and maintenance of equipment

3

#### Effective cold zone

prevents food residues from burning  
there is no change in the taste of the oil

- longer oil life
- easy access and maintenance

4

#### Removable heating element

longer lifetime  
easy access

- fully removable electric box with heating element for convenient cleaning and servicing
- easy access even to corners and time saving

5

#### Removable container

stainless steel container with handles

- easier cleaning and handling
- dishwasher safe

6

#### Manipulation

easy portability

- flexibility in the kitchen, can be used for banquets

7

#### Prevention of spontaneous combustion

higher rear chimney

- safer heat dissipation and separation of oil and ventilation from the fryer

8

#### 2 thermostats

safety and working thermostat

- traffic safety
- prevention of spontaneous combustion
- Prevention of oil flashover

# Technical data sheet



## Technical parameters

### Electric fryer 2 baskets 0,42 kW/l, 5+5 l counter top 230 V

**Model**

**SAP Code**

00000901

**1. SAP Code:**

00000901

**2. Net Width [mm]:**

398

**3. Net Depth [mm]:**

0

**4. Net Height [mm]:**

311

**5. Net Weight [kg]:**

10.00

**6. Gross Width [mm]:**

400

**7. Gross depth [mm]:**

450

**8. Gross Height [mm]:**

330

**9. Gross Weight [kg]:**

11.50

**10. Device type:**

Electric unit

**11. Construction type of device:**

Table top

**12. Power electric [kW]:**

4.200

**13. Loading:**

230 V / 1N - 50 Hz

**14. Ignition:**

Electric

**15. Protection of controls:**

IPX4

**16. Material:**

Stainless steel

**17. Indicators:**

operation and warm-up

**18. Worktop material:**

AISI 304

**19. Worktop Thickness [mm]:**

0.80

**20. Standard equipment for device:**

lid and basket

**21. Basin volume [l]:**

5

**22. Maximum device temperature [°C]:**

190

**23. Minimum device temperature [°C]:**

50

**24. Safety thermostat up to x ° C:**

235

**25. Adjustable feet:**

Yes

**26. Heating element material:**

AISI 304

**27. Number of baskets:**

2

**28. Basket size [mm]:**

130 x 235 x 100

# Technical data sheet



Technical parameters

Electric fryer 2 baskets 0,42 kW/l, 5+5 l counter top 230 V

Model

SAP Code

00000901

## 29. Heating element construction:

Large surface area coiled heating element to extend its life and heat the oil bath evenly

## 31. Heating location:

Inside the tank

## 30. Drain:

No

## 32. Cross-section of conductors CU [mm<sup>2</sup>]:

1,5

- Výkon (kW): 5-5,7 (230 V); 8,7-9,8 (400 V)